

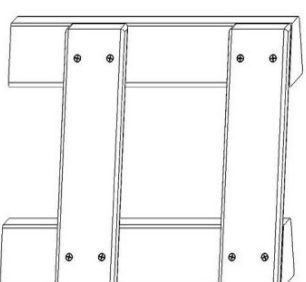
Bench



PART: 1 2 pcs



PART: 5 1 pc



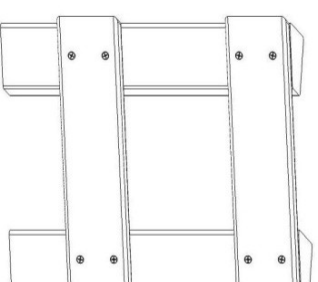
PART: 2 1 pc



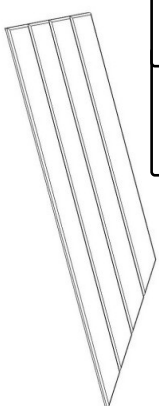
PART: 3 1 pc



PART: 6 1 pc

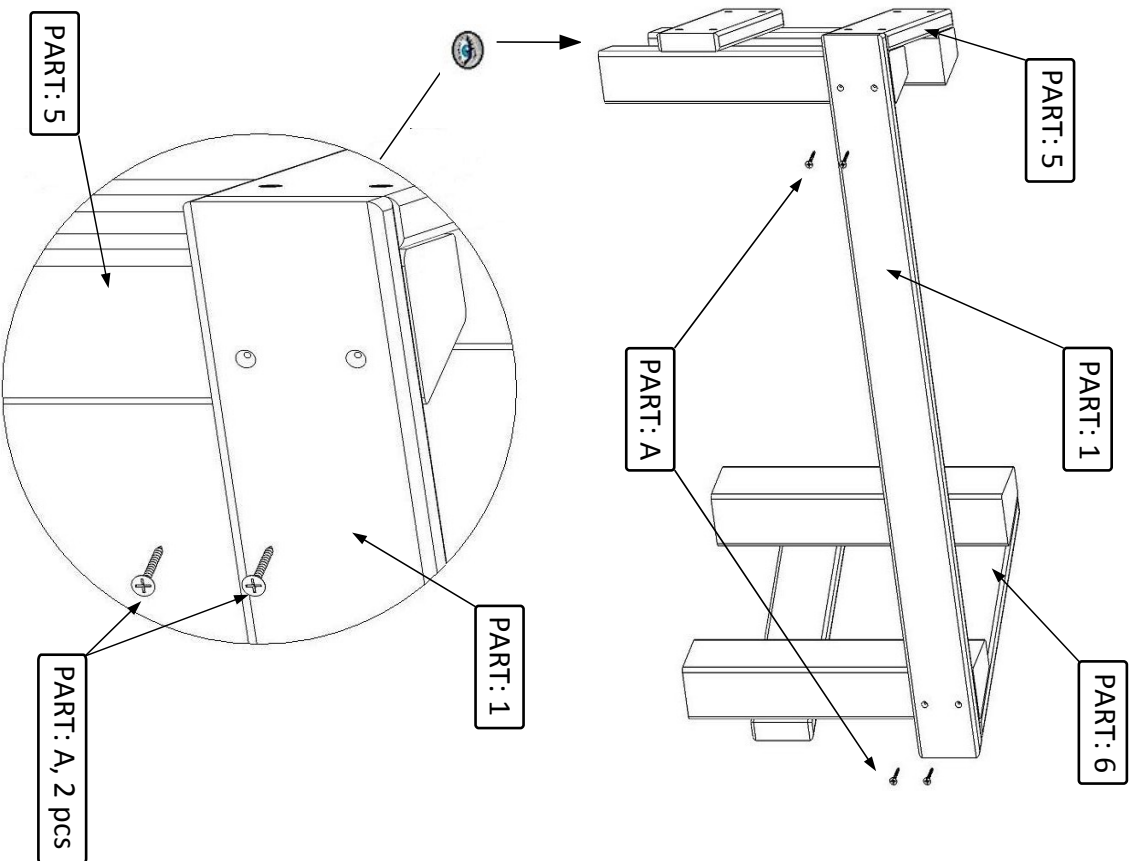


PART: 4 1 pc

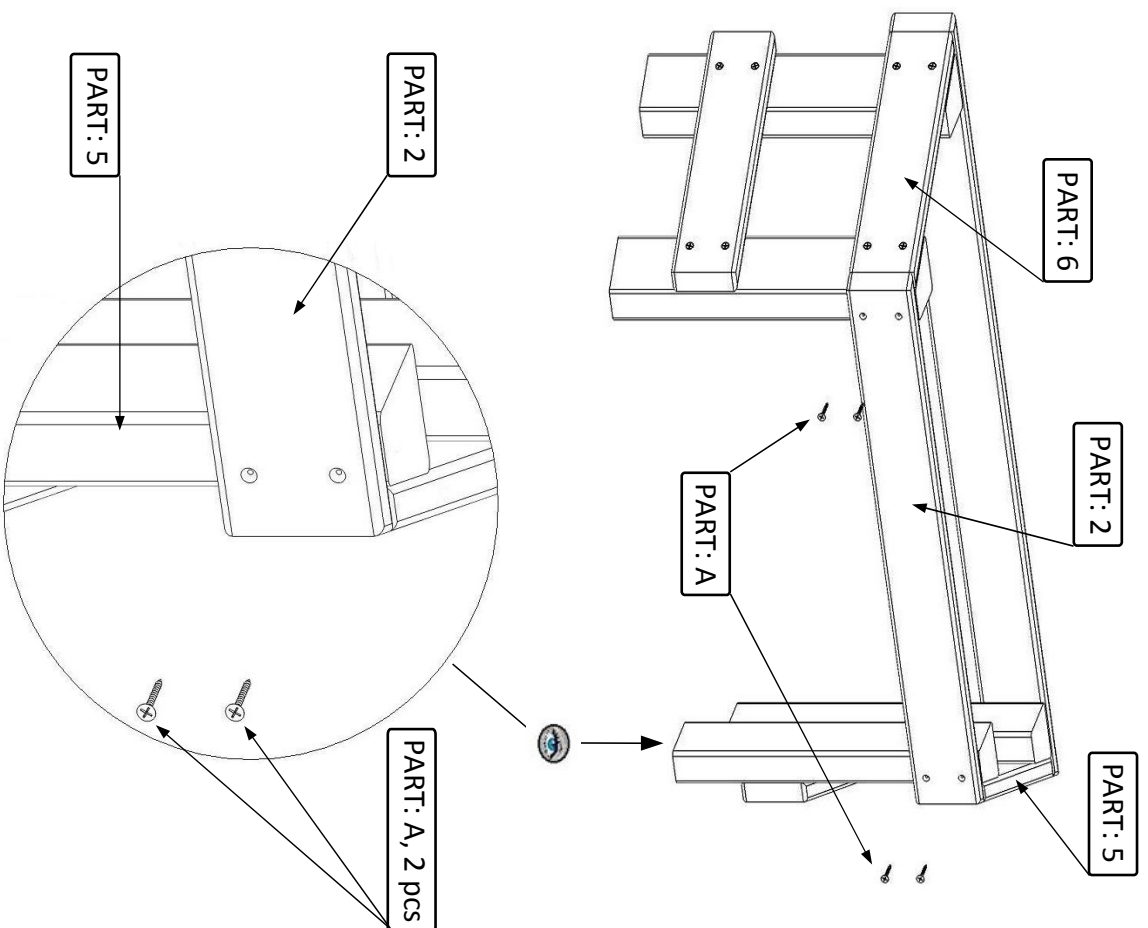


PART	FIXING HARDWARE	QUANTITY
A	4,0 x 50mm 	24 psc

STEP 1



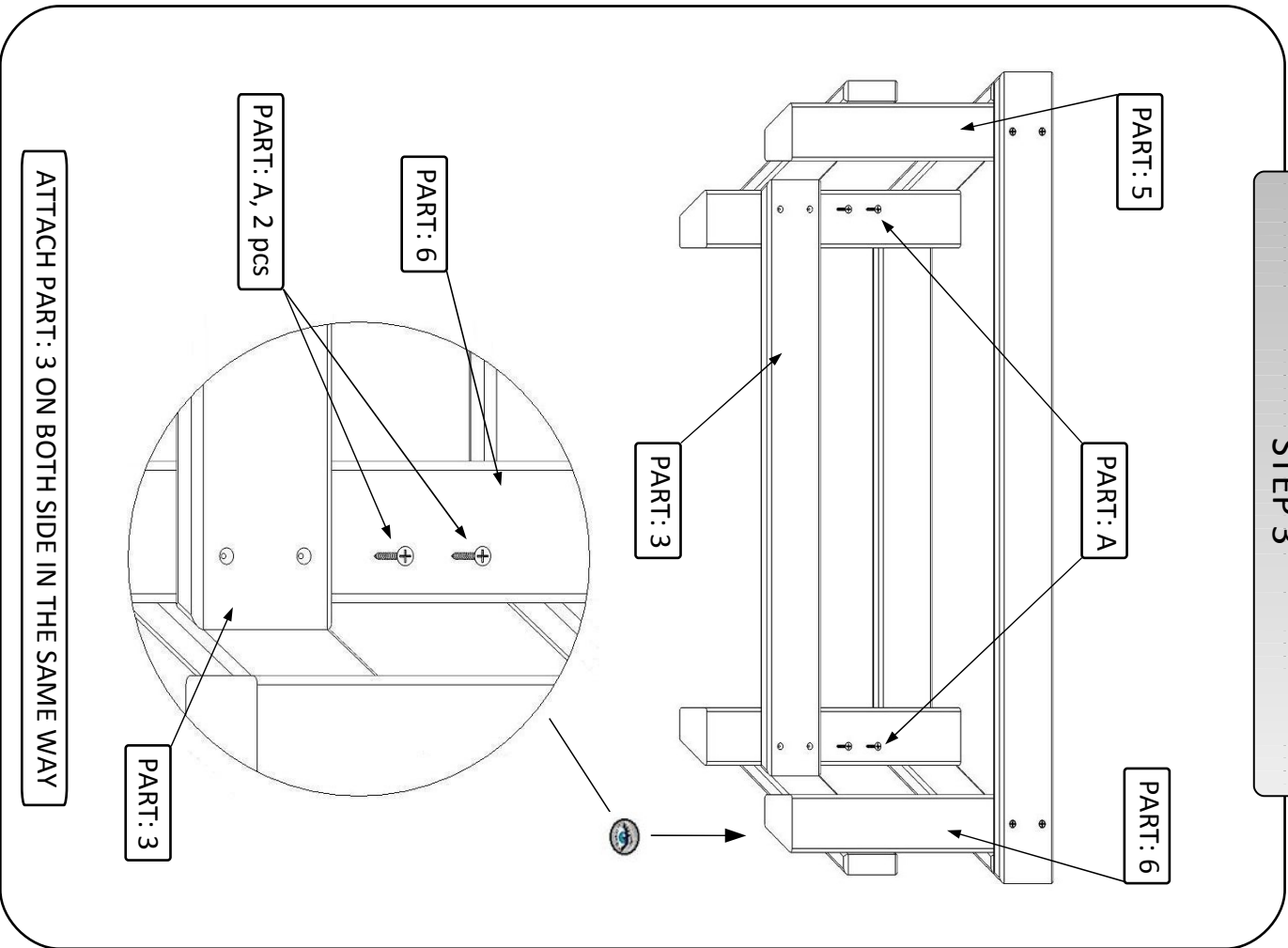
STEP 2



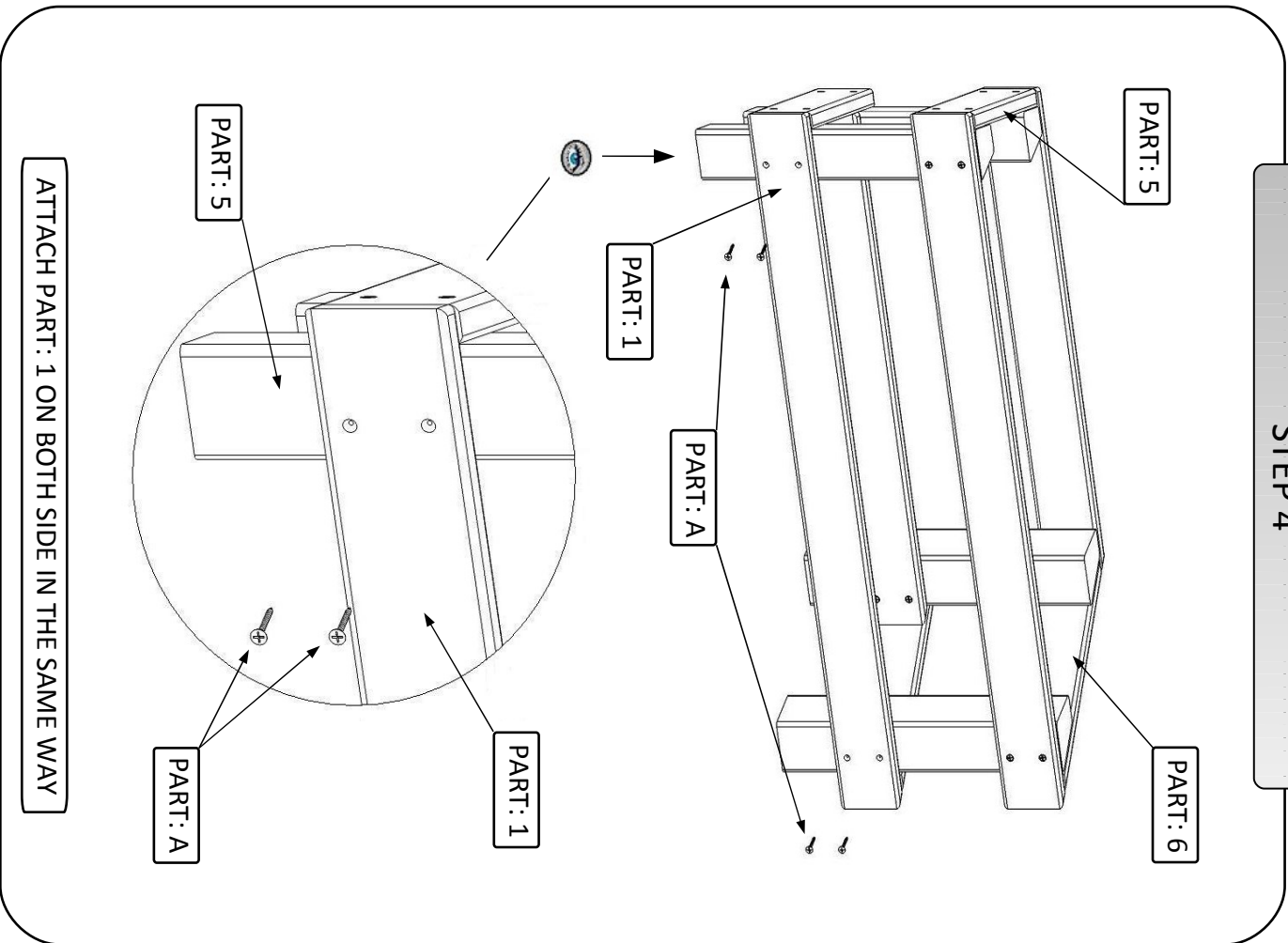
ATTACH PART: 1 ON BOTH SIDE IN THE SAME WAY

ATTACH PART: 2 ON BOTH SIDE IN THE SAME WAY

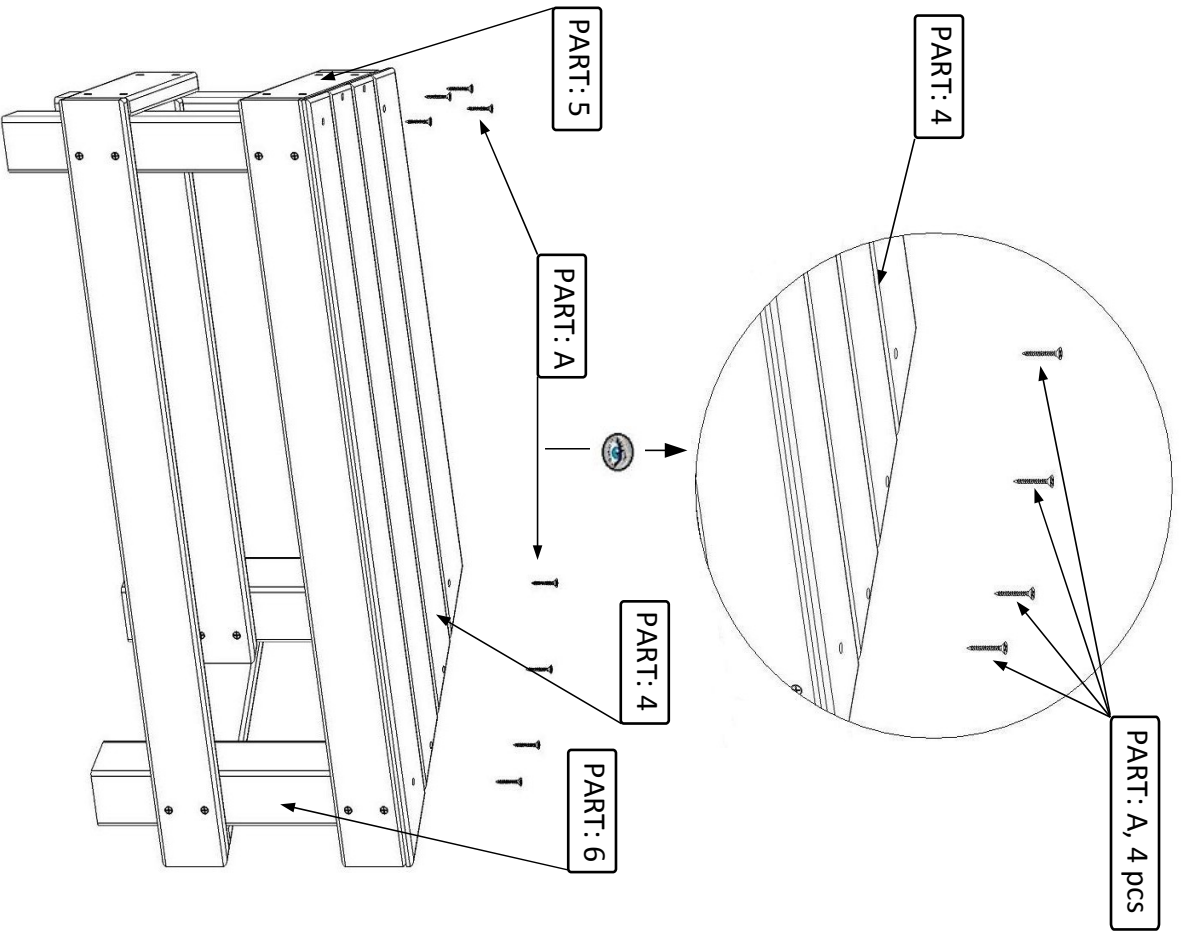
STEP 3



STEP 4



STEP 5



ATTACH PART: 4 ON BOTH SIDE IN THE SAME WAY

